



Intelligent Monitoring System Marine Industry





Intelligent Monitoring System Marine Industry

Intelligent Monitoring – iMS from **INPIRIO AS** is the process of monitoring a parameter of condition for **MARINE INDUSTRY** (vibration, temperature, relative displacement, air, gap, etc.), in order to identify a significant change which is indicative of a developing fault.

It is a major component of Predictive maintenance.

The modularity of the Intelligent Monitoring System allows customization of all critical user information for optimized asset management.

Accountability for risks and more importantly, for the controls and the monitoring, assurance of controls is clear and not doubtful.



Speciality to predict



Features of Intelligent Monitoring System Marine Industry

Expert on-line monitoring system for Marine Industry
Modular and upgradeable system for new, as well as for existing Marine equipment

IMS Features

- > Expert on-line monitoring system for Marine Industry
- > Modular and upgradeable system for new, as well as for existing
- > Long-term data storage and important events tracking
- > Restrictive class based data archiving (smart/real trending)
- > Local and remote system access
- > Automated warning based on real trending
- > Detection of problems related to bearings, eccentricity and rotor cage
- > Unique approach for all integrated equipment
- > Preventive maintenance of key equipment
- > Longer life expectancy
- > Support in decision making through remote access
- > Reduction of cost due the unplanned stops caused by machine faults
- > Participation of users in the creation of unique system based on custom requests

**“We are constantly helping you measure
the risk exposure of your system.”**





Concept of Expert on-line monitoring system for Marine Industry

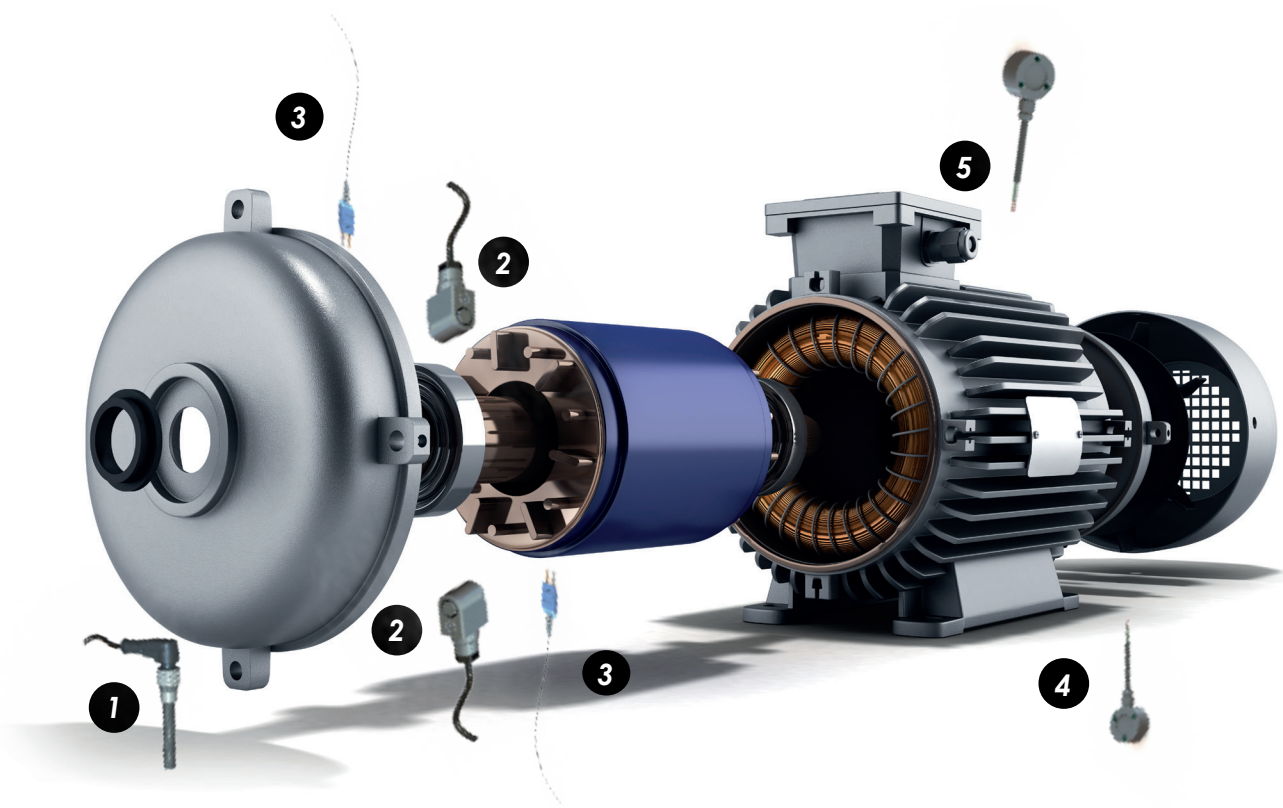
Our system uses more than a hundred sensors for various measurements and can be adapted to meet customer specific requirements and situations.

The Hardware is made to meet the strictest standards depending on the operational environment (dust, humidity, magnetic field protection, water, etc.) and most of the hardware can be adapted to meet the visual requirements for the customer.

More than a hundred sensors for various measurements and can be adapted to meet customer specific requirements

SENSORS:

1. Displacement sensor (bearing/shaft)
2. Vibration sensor (bearing)
3. Temperature sensor (bearing)
4. Motor current sensor (connection box)
5. Magnetic field sensor (air gap)



“The main purpose of Intelligent monitoring analysis is to provide you a Risk Mitigation.”







Marine Smart Motors

MOTORS FOR THRUSTERS AND TECHNOLOGICAL DRIVES

- > Ratings: 75 – 10000 kW
- > Voltage: 400 - 11000 V

WATER JACKED COOLED MOTOR FOR SHIP PROPULSION AND WINCHES

- > Ratings: 325 - 4800 kW
- > Voltage: up to 690 V





Summary:

Performance:

We are using our broad experience to support efforts to maximize availability and reliability, and optimize process performance and maintenance planning

Assured QUALITY:

Our equipment is built to last as we provide units with extended temperature range and IP range up to IP69

Modularity:

Our system is completely modular, so new measurements can be easily added without system downtime, or with as little downtime as possible

User friendly:

Web interface with our system is completely user-friendly, and can be tailor-made to the clients specific wishes

Easy implementation:

- Implementation of our system is made to be easy and with as little downtime as possible

Smart trending:

- For the highest level of the system (**ZERMATT**) – smart trending is offered – trending of all data with a specific, or multiple restrictive classes in mind.

Contacts

ADMINISTRATION AND SALES UAE

Inpirio Middle East
Electronic Engineering
Services LCC
304A Centurion Star
Ittihad Road Deira
Dubai, United Arab Emirates
Email: sales@inpirioas.com
Phone: +41 (0)44 787 15 68

ADMINISTRATION AND SALES EUROPE

INPIRIO International PLC
Kolodvorska 80
40320 Donji Kraljevec
Croatia
Email: sales@inpirioas.com
Phone: +385 (0)40 360 888

ADMINISTRATION AND SALES SWITZERLAND

Inpirio International AG
Sihleggstrasse 23
8832 Wollerau
Switzerland
Email: sales@inpirioas.com
Phone: +41 (0)44 787 15 68



Notes:



Notes:





INPIRIO[®]
ADVANCED SYSTEMS

www.inpirioas.com